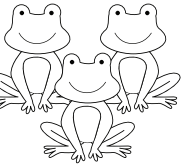
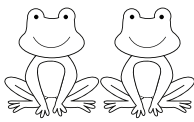
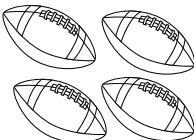
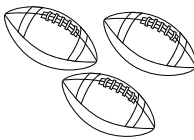
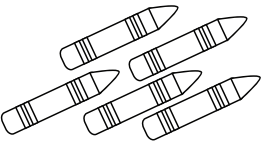
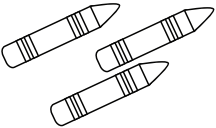


Name _____

Count the images. Write the number of images in the boxes above each image and write the total number in the last box. The first one is done for you.

<div style="border: 1px solid black; width: 60px; height: 60px; display: flex; align-items: center; justify-content: center; margin: 0 auto;">3</div>		<div style="border: 1px solid black; width: 60px; height: 60px; display: flex; align-items: center; justify-content: center; margin: 0 auto;">2</div>	$+$	$=$	<div style="border: 1px solid black; width: 100px; height: 100px; display: flex; align-items: center; justify-content: center; margin: 0 auto;">5</div>
					

<div style="border: 1px solid black; width: 60px; height: 60px; margin: 0 auto;"></div>		<div style="border: 1px solid black; width: 60px; height: 60px; margin: 0 auto;"></div>	$+$	$=$	<div style="border: 1px solid black; width: 100px; height: 100px; margin: 0 auto;"></div>
					

<div style="border: 1px solid black; width: 60px; height: 60px; margin: 0 auto;"></div>		<div style="border: 1px solid black; width: 60px; height: 60px; margin: 0 auto;"></div>	$+$	$=$	<div style="border: 1px solid black; width: 100px; height: 100px; margin: 0 auto;"></div>
					

<div style="border: 1px solid black; width: 60px; height: 60px; margin: 0 auto;"></div>		<div style="border: 1px solid black; width: 60px; height: 60px; margin: 0 auto;"></div>	$+$	$=$	<div style="border: 1px solid black; width: 100px; height: 100px; margin: 0 auto;"></div>
